

Vegetable Slicer

TR260 Vegetable Slicer - 2 Speed - lever hopper

ITEM # _____

MODEL # _____

NAME # _____

SIS # _____

AIA # _____



603286 (TR260FH23U) TR260 Vegetable Slicer - 2 Speed - lever hopper - 208V

Short Form Specification

Item No. _____

TR26023U-High Volume Production Vegetable Cutter, continuous feed design, large single feed hopper, handle pusher, standard ejector, stainless steel construction, 2-2/3 HP, 208-240v/60/3, 8.3 amps, 2 kW, NEMA L15-20P

Main Features

- Continuous feed model.
- Optional stainless steel mobile stand accessory.
- Magnetic safety system and motor brake. Prevents machine from running when lever swings away or is open.
- Available upon request:-Automatic hopper (dia=280 mm), lever-operated hopper, long vegetable hopper (3 tubes) and cabbage hopper.
- Complete selection of blades and dicing grids available (diameter 300 mm).
- Vegetable slicer unit has slicing, grating, shredding (julienne) as well as dicing and french fries capabilities.
- "No volt release" safety device.
- Available as option a long vegetable accessory to fit in the lever operated hopper converting it into a long vegetable hopper (3 cylindrical hoppers: 50, 59,5, 70 mm diameter)
- Suitable for up to 600 meals for table service and up to 2000 meals for catering service.

Construction

- 2 speed: 330-660 rpm.
- Power: 2000 or 2200 watts.
- Capacity depending on the hopper:
 - lever hopper: 1500lbs/hr (700kg/hr)
 - automatic hopper: 5500lbs/hr (2500kg/hr)

Included Accessories

- 1 of Feed tray to be combined with cabbage hopper & long vegetable hopper PNC 650036
- 1 of Lever feed hopper. PNC 653510

Optional Accessories

- Feed tray to be combined with cabbage hopper & long vegetable hopper PNC 650036
- Grating Disc Stainless Steel for Parmesan/Chocolate PNC 650148
- Grating Disc Stainless Steel for Breadcrumbs/Potatoes PNC 650149
- Grating Disc Stainless Steel 5/64 " (2mm) PNC 650150
- Grating Disc Stainless Steel 1/8 " (3mm) PNC 650151
- Grating Disc Stainless Steel 5/32 " (4mm) PNC 650152
- Grating Disc Stainless Steel 9/32 " (7mm) PNC 650153
- Grating Disc Stainless Steel 11/32 " (9mm) PNC 650154
- Mobile stand, stainless steel PNC 653017
- Dicing Grid Stainless Steel 3/8 " (10mm) PNC 653051
- Dicing Grid Stainless Steel 5/8 " (16mm) PNC 653052

APPROVAL: _____

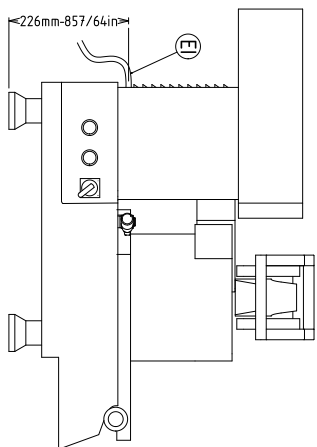


Electrolux
PROFESSIONAL

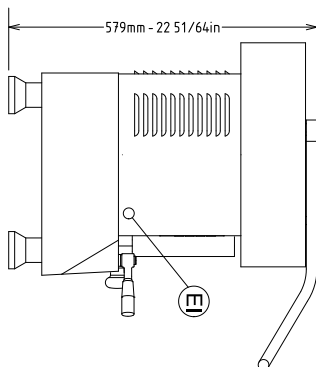
Vegetable Slicer TR260 Vegetable Slicer - 2 Speed - lever hopper

- Dicing Grid Stainless Steel 25/32 " (20mm) PNC 653053
- Dicing Grid Stainless Steel 31/32 " (25mm) PNC 653054
- Dicing Grid Stainless Steel 1 1/4 " (32mm) PNC 653055
- Slicing Disc Stainless Steel 5/64 " (2mm) PNC 653172
- Slicing Disc Stainless Steel 1/8" (3mm) PNC 653173
- Slicing Disc Stainless Steel 1/32" (1mm) PNC 653188
- Slicing Disc Stainless Steel 3/16" (5mm) PNC 653189
- Slicing Disc Stainless Steel 1/4" (6mm) PNC 653190
- Slicing Disc Stainless Steel 5/16" (8mm) PNC 653191
- Slicing Disc Stainless Steel 3/8" (10mm) PNC 653192
- Slicing Disc Stainless Steel 5/8" (16mm) PNC 653193
- Julienne Disc Stainless Steel 5/64 " (2mm) PNC 653195
- Julienne Disc Stainless Steel 1/8" (3mm) PNC 653196
- Julienne Disc Stainless Steel 5/32 " (4mm) PNC 653197
- Julienne Disc Stainless Steel 1/4" (6mm) PNC 653198
- Julienne Disc Stainless Steel 5/16 " (8mm) PNC 653199
- Julienne Disc Stainless Steel 3/8 " (10mm) PNC 653200
- Blade rack, stainless steel PNC 653212
- Krinkle Cut Disc Stainless Steel 5/64 " (2mm) PNC 653217
- Krinkle Cut Disc Stainless Steel 1/8 " (3mm) PNC 653218
- Krinkle Cut Disc Stainless Steel 1/4 " (6mm) PNC 653219
- Dicing Grid Stainless Steel 15/32 " (12mm) PNC 653301
- Lever feed hopper. PNC 653510

Front

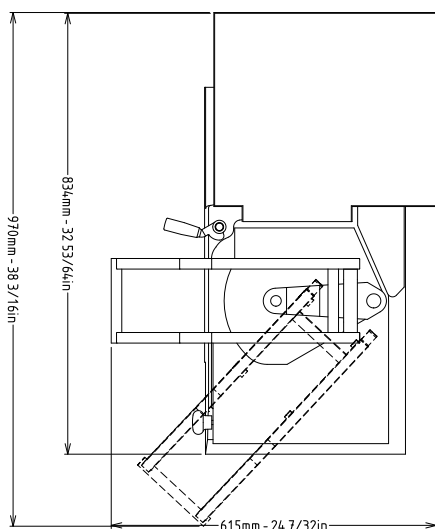


Side



EI = Electrical connection

Top



Electric

Supply voltage:

603286 (TR260FH23U) 208-240 V/3 ph/60 Hz

Total Watts:

2 kW

Plug type:

USA NEMA L15-20P

Key Information:

External dimensions, Width: 29 1/2" (750 mm)

External dimensions, Depth: 14 15/16" (380 mm)

External dimensions, Height: 18 1/8" (460 mm)

Shipping width: 31 1/2" (800 mm)

Shipping depth: 19 11/16" (500 mm)

Shipping height: 47 1/4" (1200 mm)

Shipping weight: 146 lbs (66 kg)